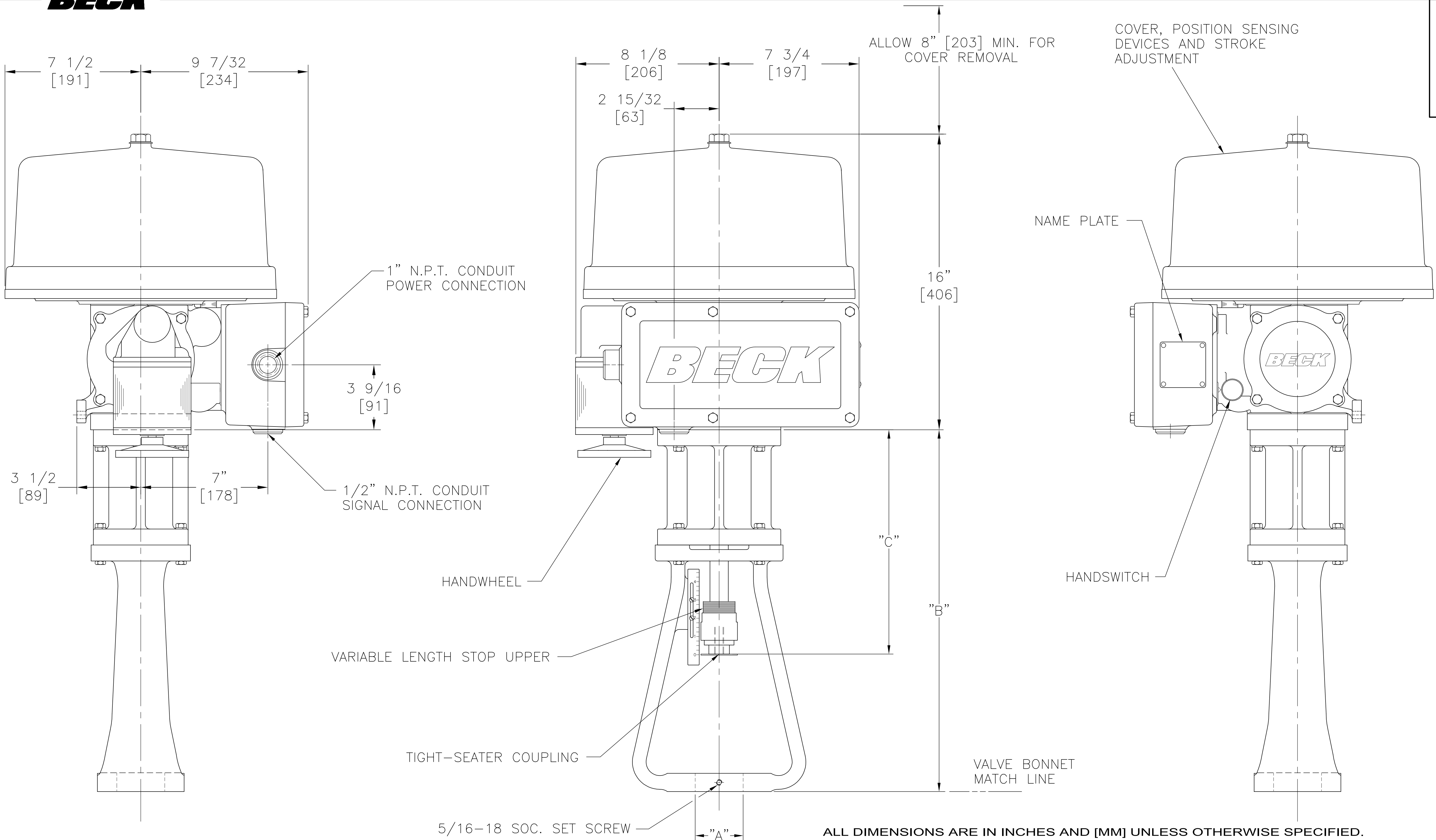


THIS DOCUMENT IS A COPY AND IS NOT THE SOURCE DOCUMENT. INFORMATION IS SUBJECT TO CHANGE WITHOUT NOTICE. THE INFORMATION CONTAINED HEREIN IS COPYRIGHTED BY HAROLD BECK AND SONS, INC. CHANGES TO THE DOCUMENT ARE PROHIBITED. CONTACT A BECK SALES ENGINEER IF A CERTIFIED DRAWING IS REQUIRED.

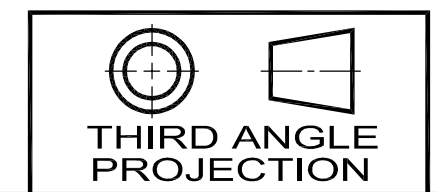


ALL DIMENSIONS ARE IN INCHES AND [MM] UNLESS OTHERWISE SPECIFIED.  
 THREADS AND TAPPED HOLES ARE SPECIFIED AS UNIFIED THREAD SIZES ONLY.  
 CONDUIT PIPE THREADS PER AMERICAN NATIONAL STANDARD TAPER PIPE THREADS (N.P.T.)

BECK DRIVE MODEL NO.	DRIVE STEM TRAVEL RANGE	"A" VALVE BOSS DIA. RANGE	"B" YOKE & EXTENSION HEIGHT	"C" MAX. DRIVE STEM EXTENSION	MAX. VALVE STEM EXTENSION (STEM RETRACTED)	MAX. WEIGHT
<input type="checkbox"/> 14-100	3/4 - 3 1/2 [19 - 89]	1 3/8 - 3 3/4 [35 - 95]	19 13/16 [503]	12 5/16 [313]	9 1/4 [235]	100 LBS. 45 KGS.
<input type="checkbox"/> 14-100	1 3/4 - 4 1/2 [44 - 114]	1 3/8 - 3 3/4 [35 - 95]	19 13/16 [503]	12 5/16 [313]	9 1/4 [235]	100 LBS. 45 KGS.

TOLERANCE:  
 ALL DIMENSIONS ±1/4 [±6]

18-0014-020



**HAROLD BECK & SONS INC**  
 NEWTOWN INDUSTRIAL COMMONS NEWTOWN, PENNSYLVANIA 18940 USA

TITLE:  
**OUTLINE DIMENSIONS BECK 14-100 DRIVE 3/4" TO 4 1/2" [19mm TO 114mm] TRAVEL**

DRAWN: GMD 11/7/07	SCALE: NONE	DRAWING NO: <b>18-0014-020</b>	REV: <b>B</b>
CHECKED: DMS 11/9/07			
APPROVED: JHM 11/12/07		SHEET NO. 1 OF 1	