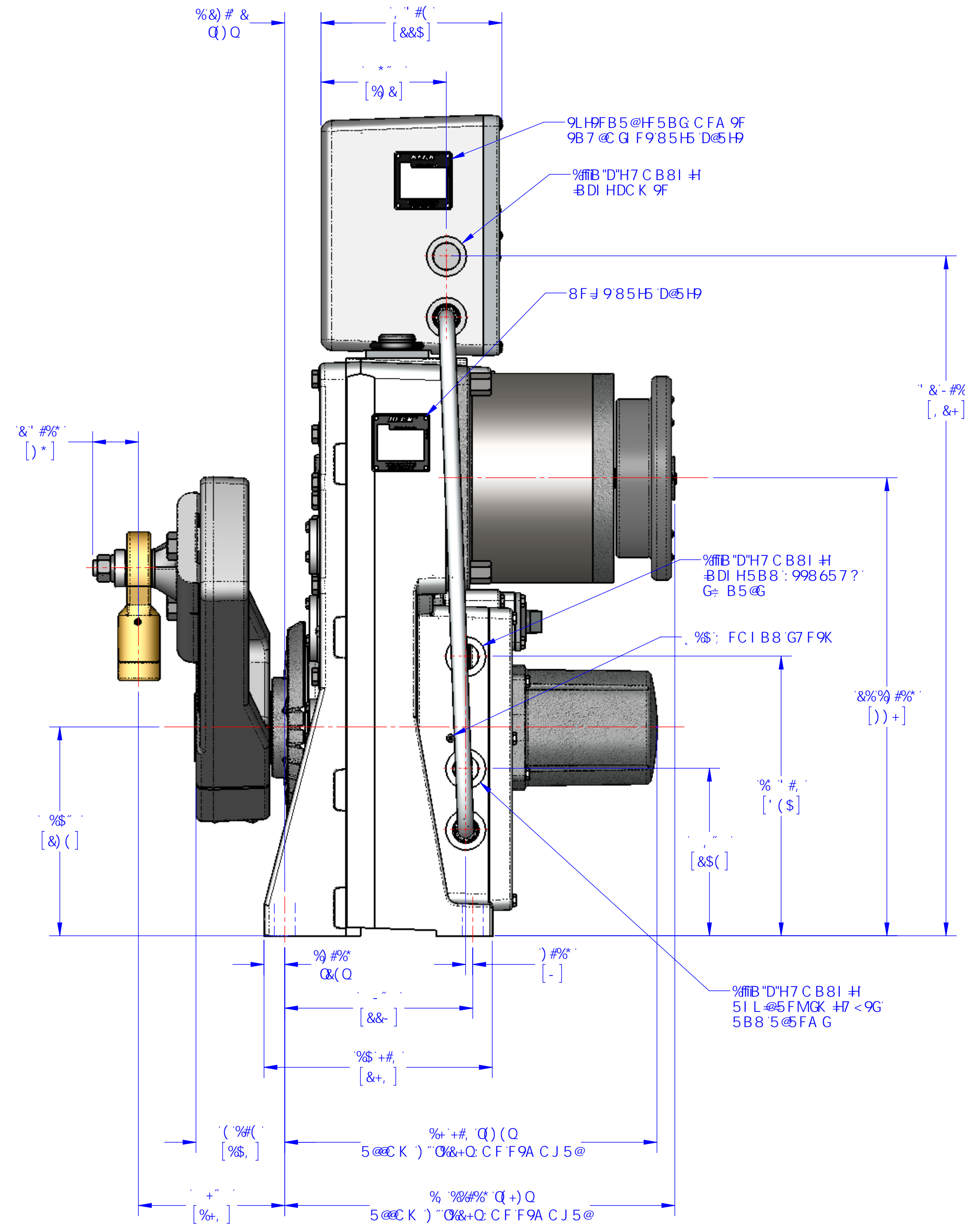
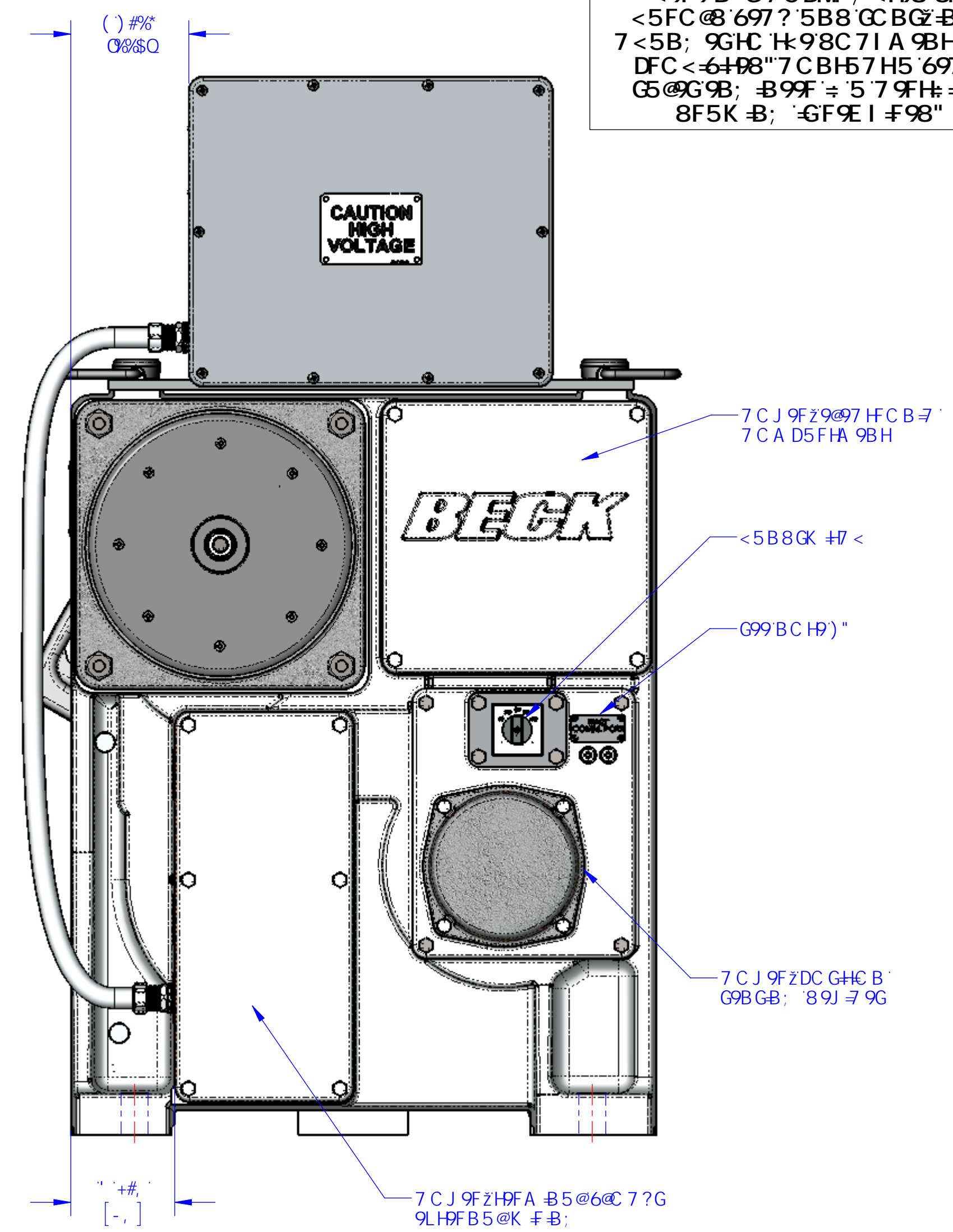


:FCBHU -9K



G89J -9K



F95FJ -9K

H-68C71A 9BH-657CDM5B8
 -6BCH-9C1 F798C71A 9BH
 -B: CFA 5HC B-6Q 6-97HC
 7<5B: 9K H-C1 HBC H7 9" H-9
 -B: CFA 5HC B 7CBH5-B98
 <9F9B -67CDM -<H8 6M
 <5FC @ 697? 5B8 GCBC-B7
 7<5B: 9HC H-98C71A 9BH5F9
 DFC <-6+H8" 7CBH57H5 697?
 G5@G9B: B99F = 5'79FH-98
 8F5K-B; -6F9E I F98"

:5GHB9F; I-89		
	GA9fIB'L	HCFEI 9 @: H#Ba
7F5B? 5FA G7F9K Gfl L	' #(!%	' \$\$#(\$+
7F5B? DB G7F9K Gfl L	' #(!%	' \$\$#(\$+
FC8 9B8 BI H	' #(!%	&\$\$#&+%
ACHCFACI BHB; BI HGf(L	%#& %	' +#) \$
9@7HFCB=7 G7CA D5FHA 9BH7CJ 9F) #%!%	%\$#/(
HFA-B5@7CA D5FHA 9BH7CJ 9FG) #%!%	%\$#/(
7CBHC@9B87CJ 9F) #%!%	%\$#/(

5@8-A 9BG-CBG5F9-B -B7 <9G5B8 @A QI B@GGCH 9FK -G9GD97 =-98"
 H-F958G5B8 H5DD98 <C@G5F9GD97 =-98 5GI B=-98 H-F958 GA9GCB@M
 7CB8I #D-D9H-F958GD9F 5A 9F=7 5B B5HC B5@G5B85F8 H5D9F D-D9H-F958GfB'DH L

697? 8F=9 AC89@BC"	HCFEI 9 @: H @!a Q	HA-B; G97 #/\$\$\$	B9H KH @G' Q; GQ	CI HI H G<5: H8-5" -B" @A Q	7F5B?5FA F58+ G f58> G56@L	A5L-AIA CJ 9<I B; @58 @G' Q; GQ
&&' \$\$	' \$\$\$ Q\$*+Q	' \$	**\$ @- Q	' %H& Q-Q	- mii) mii @&-!' , Q	% \$\$\$ O, \$(Q

BCHG
 % 5@8-A 9BG-CBG5F9HMD7 5@
 &' HC @F5B79G + %H(0*Q
 "' A CI BHB; '8-A 9BG-CBG + %H% 0&Q
 (" = GD97 = 7' 8-A 9BG-CBG5F9F9E I F98Z
 D@5G97CBH57H5: 57HC FMF9DF9G9BIH5HJ 9"
)" F9 9F9B79@75HC B: CF <5FH7CAAI B=7 5HC B'DCFH@569@
 K <9B <5FH7CAAI B=7 5HC B 8F=9 9CDHC B -G GD97 =-98"

<5FC@8'697? / 'GCBG-B7"
 BIK HCK B-BI GF 697CAACBC BIK HCK B2DBB8M5B6% (S1 G)
 HHP
 CI H@B98-A 9BG-CBG: CFI B-H#98
 5GG9A 6@MC: '697? &&' \$\$\$ F=95B8
 9LHFB5@H5BG CFA 9F 9B7 @G I 9

8FSK B: 8A G98' S1%	G7 5@ BCB9	8FSK @: BC:	F9J:
7<9798: BK ? 98' S1%		% !&&' \$!\$) c	9
5DDFCJ 98: <<G98' S1%		G-99HBC	% : %