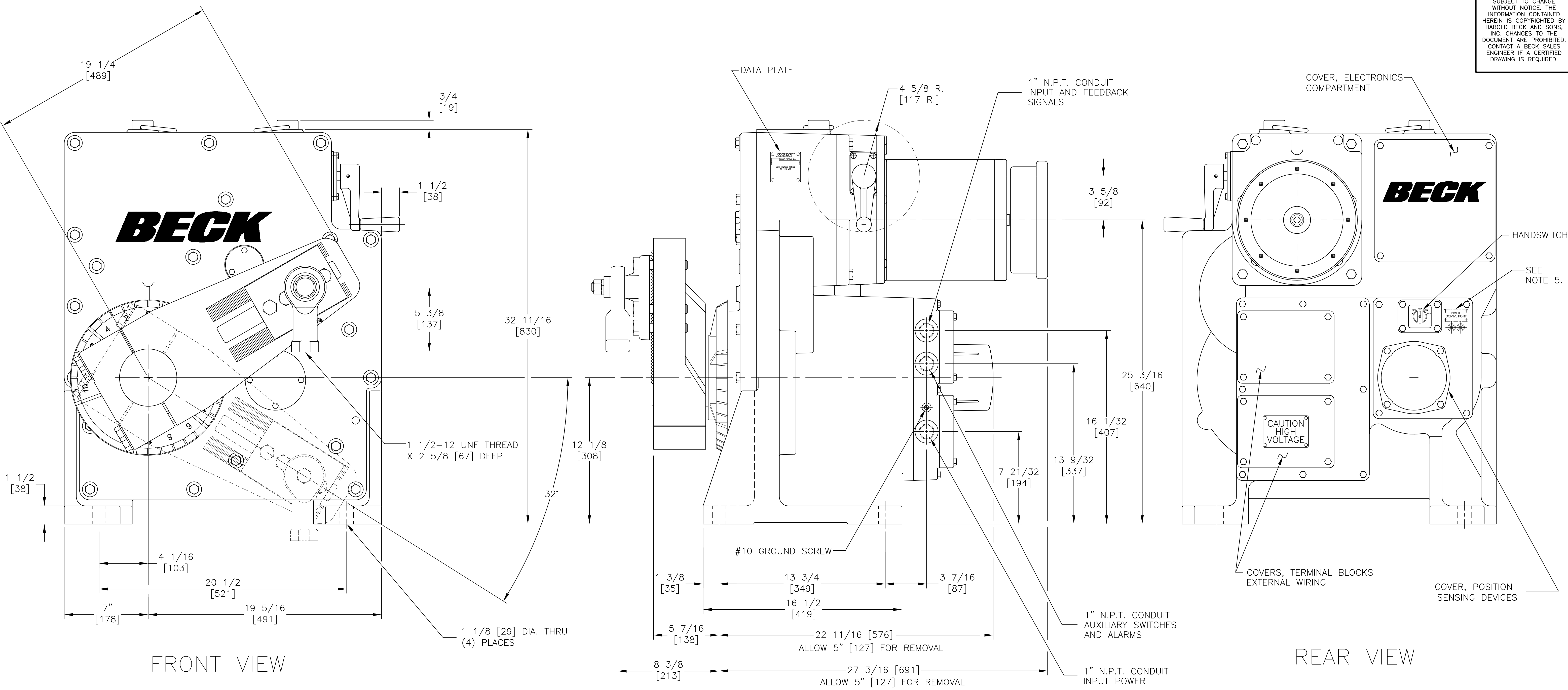


THIS DOCUMENT IS A COPY AND IS NOT THE SOURCE DOCUMENT. INFORMATION IS SUBJECT TO CHANGE WITHOUT NOTICE. THE INFORMATION CONTAINED HEREIN IS COPYRIGHTED BY HAROLD BECK AND SONS, INC. CHANGES TO THE DOCUMENT ARE PROHIBITED. CONTACT A BECK SALES ENGINEER IF A CERTIFIED DRAWING IS REQUIRED.



ALL DIMENSIONS ARE IN INCHES AND [MM] UNLESS OTHERWISE SPECIFIED.
 THREADS AND TAPPED HOLES ARE SPECIFIED AS UNIFIED THREAD SIZES ONLY.
 CONDUIT PIPE THREADS PER AMERICAN NATIONAL STANDARD TAPER PIPE THREADS (N.P.T.)

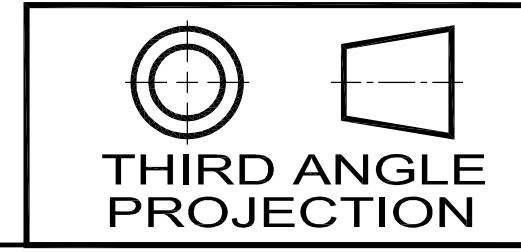
- NOTES:
1. ALL DIMENSIONS ARE TYPICAL.
 2. TOLERANCES: ±1/4 [±6]
 3. MOUNTING DIMENSIONS: ±1/16 [±2]
 4. IF SPECIFIC DIMENSIONS ARE REQUIRED, PLEASE CONTACT A FACTORY REPRESENTATIVE.
 5. REFERENCE LOCATION FOR HART COMMUNICATION PORT LABEL WHEN HART COMMUNICATION DRIVE OPTION IS SPECIFIED.

RECOMMENDED TORQUES

	THREAD SIZE	TORQUE LB-FT.	TORQUE N-m
CRANK ARM SCREWS (6)	3/4-16	420	569
CRANK PIN SCREWS (3)	3/4-16	420	569
ROD END NUT	3/4-16	200	271
MOTOR MOUNTING SCREWS (4)	1/2-13	50	68
COVER SCREWS	5/16-18	10	14

BECK CONTROL DRIVE MODEL NO.	TORQUE LB-FT [N-m]	TIMING SEC/100°	NET WT. LBS. [KGS.]	OUTPUT SHAFT DIA.	CRANKARM RADIUS (ADJUSTABLE)	MAXIMUM OVERHUNG LOAD LBS. [KGS.]
22-8□□	8000 [10847]	15	1250 [567]	4 3/4 [121]	10"-15" [254-381]	30000 [13608]

18-2280-01o



HAROLD BECK & SONS INC
 NEWTOWN INDUSTRIAL COMMONS NEWTOWN, PENNSYLVANIA 18940 USA

TITLE: **OUTLINE DIMENSIONS**
BECK 22-800 CONTROL DRIVE

DRAWN: DMS 11-6-07 SCALE: NONE DRAWING NO: 18-2280-01o REV: C
 CHECKED: DWK 11-12-07
 APPROVED: JHM 11-12-07 SHEET NO. 1 OF 1